



DIAMONDBACK

DiamondBackCovers.com / 800 935 4002

BULKHEAD PREP KIT

2022+ Tundra

INSTALLATION GUIDE

BH-9

20 minutes
Normal install time

Keep an eye out for these icons:

IMPORTANT!
Important installation information

Helpful Hints
Tips to assist installation

PARTS INCLUDED:



30" Black
Sealant Tape



Bulkhead
Weatherstrip Kit



Isopropyl Alcohol

TOOLS REQUIRED:



Clean, Lint-
Free Cloth



Scissors

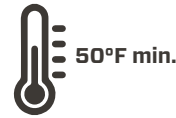


Flashlight
(optional)

PRE-INSTALLATION NOTE

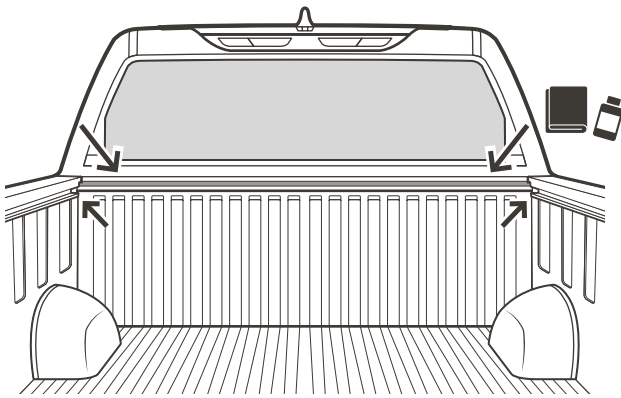
(REVIEW ALL OTHER INCLUDED INSTALLATION GUIDES BEFORE BEGINNING)

To ensure the sealing mount tape adheres properly, make sure the temperature of the cleaned surface is at least 50°F and will remain so for at least a day.



INSTRUCTIONS

It's very important that all sealing areas be both dry and absolutely free of dirt, oil, or any other contaminants prior to application of the Bulkhead Prep Kit.



1 At the bulkhead, clean the top of the bulkhead and empty space underneath the bed rails thoroughly with a clean, lint-free cloth using Isopropyl Alcohol. Allow to dry.

2 Begin by cutting the sealant tape in half. Place one half aside for now, you will need it for Step 6. This will leave you enough material to do both sides of the truck.

3 Starting on the passenger side of the truck, take one of the halves of sealant tape. Peel the backing off of this piece and roll it in your hands until it matches the void in the bulkhead shown in Figure 1 and Figure 2. (It will be about the size of a pen grip to fill this area).

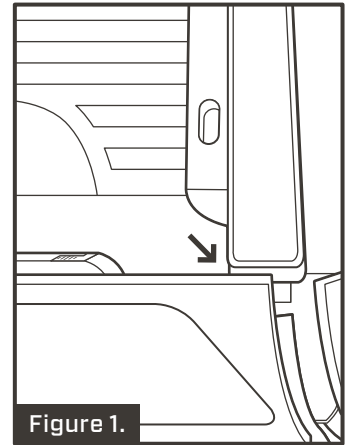


Figure 1.

4 Once you have a piece the size to fill this section, cut it so that its length is equal to the bulkhead width as shown in Figure 1. Take care to fill the void until the sealant tape is flush with the top of the bulkhead as shown in figure 4.

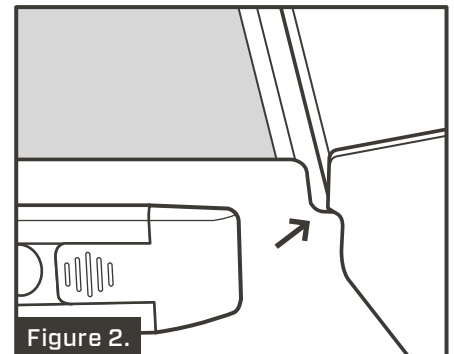


Figure 2.

INSTRUCTIONS (CONTINUED)

- 5 Now take the remaining portion from the first half of sealant tape and fill the area underneath the bed rail cap shown in Figure 3 until you can no longer see any visible light shining through.

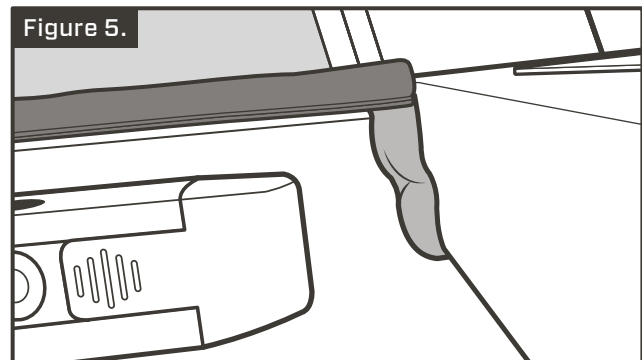
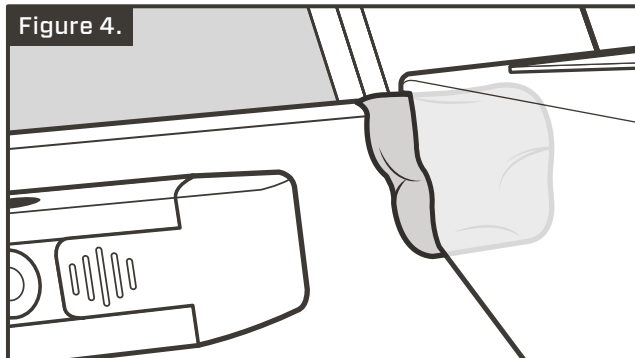
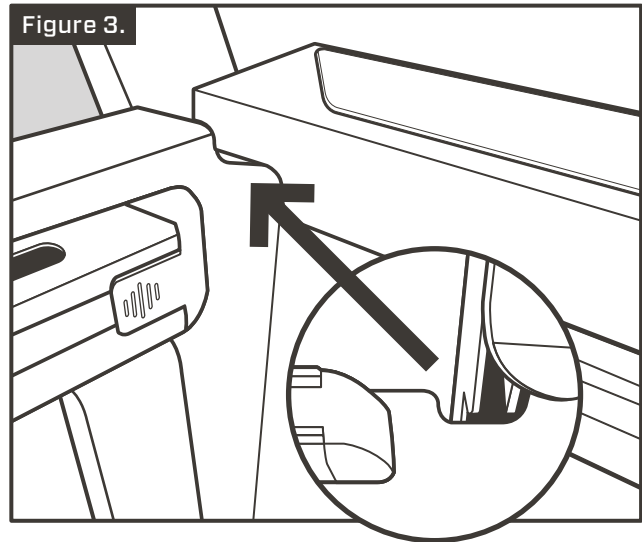
★ The sealant tape will remain pliable and can be reworked as necessary in the future.

- 6 Repeat these steps on the driver side of the truck.

- 7 Install included bulkhead weatherstrip, it should be cut so that it overlaps the sealant tape and butts up against the inside edges of the plastic bedrail caps (Figures 4 & 5). Ensure it is aligned properly with perimeter weatherstrip of the cab panel.

! Never stretch the weatherstrip when applying. If you do, its adhesive will fail.

! Press down firmly with your thumb on the weatherstrip along its entire length.



- 8 With the truck in a well-lit area or a second person shining a light from the outside corners of the bulkhead, verify that you cannot see light. If light is visible, reposition the sealing tape until no light is visible. This will give the best protection against the elements.

★ The bulkhead weatherstrip will stick to a spray-in bed liner just fine.

- 9 After you have installed your cover, leave its front panel(s) closed and locked for 24 hours to allow the bulkhead weatherstrip adhesive, which is pressure-activated, to fully cure.

★ The sealant tape will remain pliable even after curing.

 **24 hours**
Adhesive cure time