

## INSTALLATION GUIDE

CVR-SBK-2

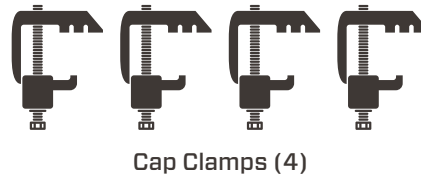
**15 minutes**  
Normal install time

Keep an eye out for these icons:

**IMPORTANT!**  
Important installation information

**★ Helpful Hints**  
Tips to assist installation

### PARTS INCLUDED:



### TOOLS REQUIRED:



Automotive  
Silicone  
Spray

### PRE-INSTALLATION NOTES (REVIEW ALL OTHER INCLUDED INSTALLATION GUIDES BEFORE BEGINNING)

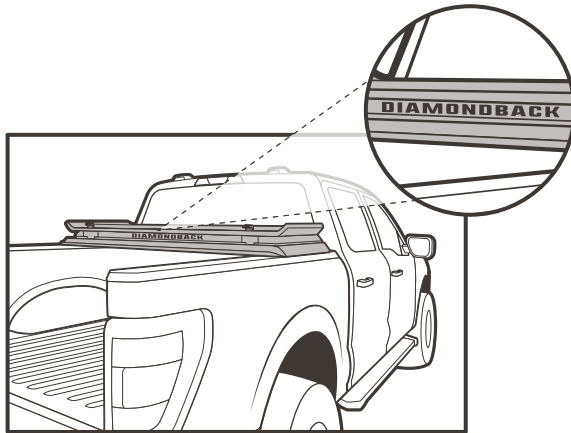
Most trucks require the **bulkhead weatherstrip** to be installed and some require additional bulkhead preparations. Please refer to the instructions in the **Bulkhead Prep Kit** prior to mounting the cover.

If your cover includes shims, affix the included bed rail shims first and reference their included instructions.

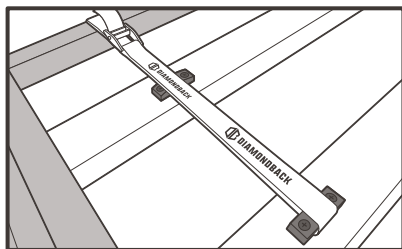
Due to differences in tailgate designs, we recommend an application of automotive silicone spray on the tail panel weatherstrip. This will promote smoother operation and help avoid wear and tear.

### INSTALL COVER

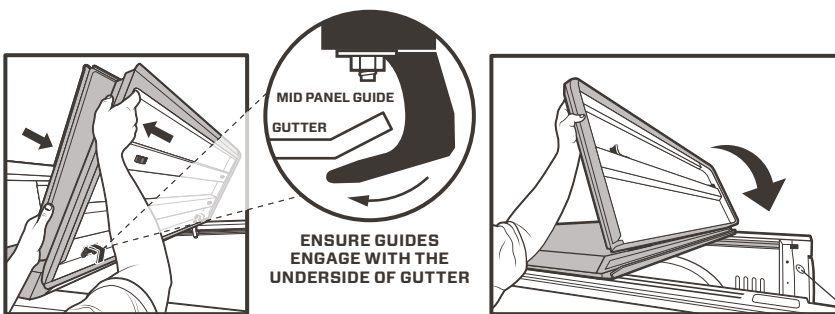
**1** Place cover on top of the bed rails near the cab and oriented so that you can read the "DIAMONDBACK" logo from the back of the truck.



**2** Note strap orientation for use when refolding. Then remove straps to allow cover to unfold.



**3** Carefully unfold the cover towards the tailgate by applying force at the double-hinge area and allowing gravity to assist with unfolding.

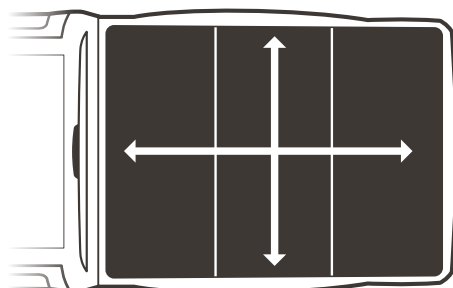


Holding mid and tail panels tightly together, begin unfolding towards tailgate.

Unfold tail panel towards tailgate.

**!** Do not lift directly upwards at the hinge area as it can result in damage to the gutter and guides.

**4** Position the cover front to back so that the front of the cab panel lines up with the outside edge of the center of the bulkhead. Center the cover side-to-side on the truck.



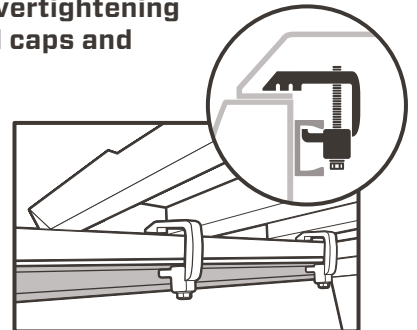
**5** Position the cap clamps under the cab panel. Place one as close to the cab as possible (1) and the other against the stud closest to the tailgate end (2). Once all four clamps (2 per side) are positioned accordingly, uniformly tighten using a 9/16" socket to between 4-5 ft-lbs.

**!** While tightening clamps, be aware of possible bed rail cap deformation. Overtightening clamps will damage bed rail caps and cause leaking.

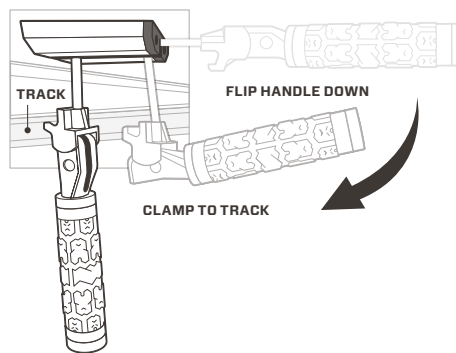
**!** The bottom halves of the cap clamps should be in the tracks.

**!** Do not fold the cover until the clamps are tight.

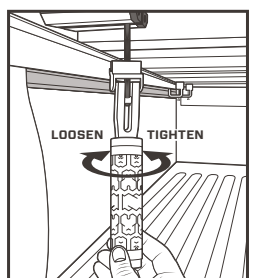
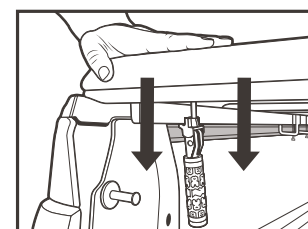
**!** Retighten after a week of use. Check them every time you haul on top.



**6** Release the handle from the track and position clamp jaw inside track to begin engaging.



**7** Thoroughly compress the weatherstrip by applying a significant amount of downward pressure to the tail panel and engage the clamp. The clamp tension should be firm enough to clamp the cover securely to the bed rail with one hand. Adjust the tension by rotating the handle clockwise to tighten, and counter clockwise to loosen.



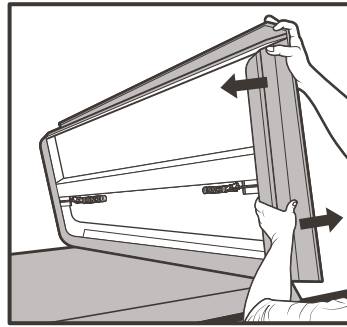
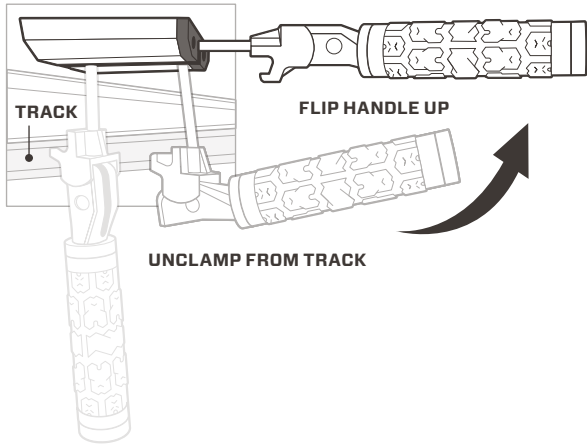
**★** Due to differences in tailgate designs, we recommend an application of automotive silicone spray on the tail panel weatherstripping. This will promote smoother operation and help avoid wear and tear.

**8** Leave the cover closed and clamped for 24 hours to allow the pressure-sensitive weatherstrip adhesive to fully cure.

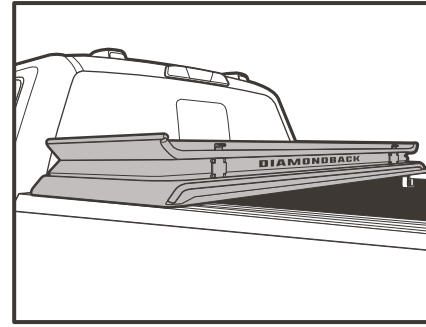
# TO FOLD COVER:

## STEP 1

Release clamp and flip handle up, ensuring it locks in place (flush with panel).



Lift tail panel and fold to mid panel. While holding tightly together, fold on to cab panel.

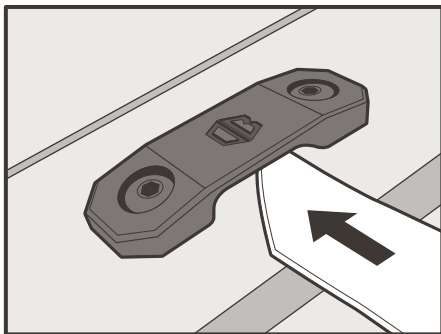


**!** Apply force towards the tailgate at the double-hinge area when folding and unfolding the mid panel. Do not lift directly upwards at the hinge area. Let gravity assist in folding/unfolding.

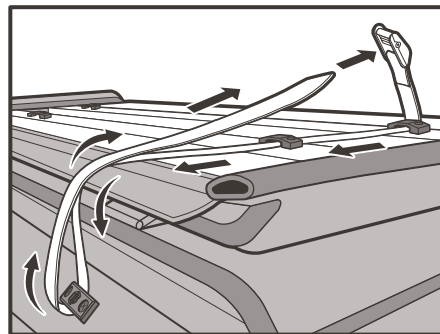
## STEP 2

Secure cover with included straps before driving in the open position.

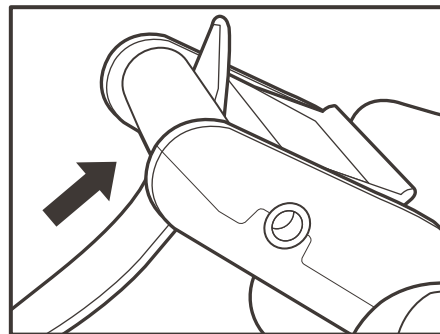
**★** Longer truck beds may use only the loops closest to the cab to secure the cover in the open position.



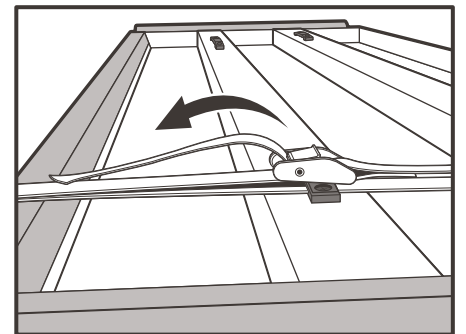
Feed straps underneath anchor plates.



Route strap accordingly



Ensure strap is properly inserted through buckle (with latch facing up)



Pull strap tight and make sure buckle is securely engaged

**!** Do not operate vehicle without securing the folded cover.