



DIAMONDBACK

'05-up Toyota Tacoma

180

INSTALLATION GUIDE

CVR-180.3

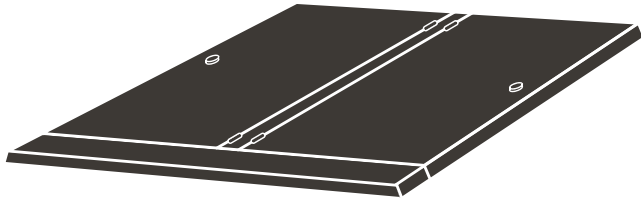
60 minutes
Normal install time

Keep an eye out for these icons:

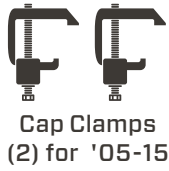
IMPORTANT!
Important installation information

★ Helpful Hints
Tips to assist installation

PARTS INCLUDED:



180 Cover



Cap Clamps (2) for '05-15



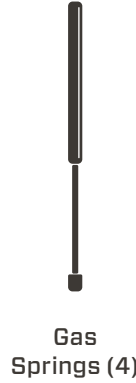
Mounting Brackets (2)



Cap Clamps (2) for '16-up



1/8" Hex Key



Gas Springs (4)

TOOLS REQUIRED:



Ratchet Wrench, (Torque Wrench Preferred)



9/16" Socket



10 mm Socket



7/16" Socket

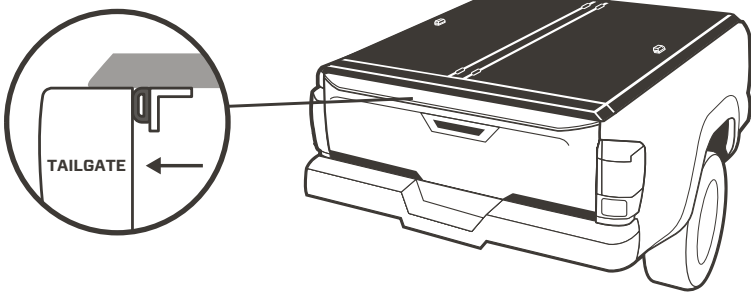
PRE-INSTALLATION NOTES (REVIEW ALL OTHER INCLUDED INSTALLATION GUIDES BEFORE BEGINNING)

Most trucks require the **bulkhead weatherstrip** to be installed and some require additional bulkhead preparations. Please refer to the instructions in the **Bulkhead Prep Kit** prior to mounting the cover.

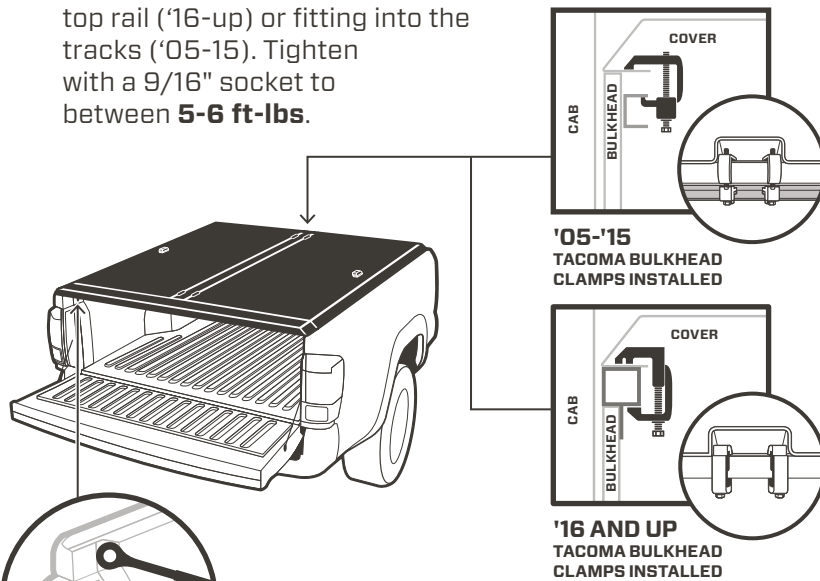
If you are installing a bin, refer to the bin's installation guide for details.

MOUNT THE COVER

1 Close the tailgate. Place the cover onto the bed so that the weatherstrip along the cover's vertical sealing face is firmly compressed against the inside edge of the tailgate.



2 Place the cap clamps under the nose of the T-panel, their top halves gripping the inside flange of the panel and their bottom halves gripping the bulkhead bar top rail ('16-up) or fitting into the tracks ('05-15). Tighten with a 9/16" socket to between **5-6 ft-lbs.**



3 Use a 10mm socket to remove the factory bolt and washer that are on the cargo-bed wall directly below the hollow section of the driver-side end of the cover's T-panel. Repeat on the passenger side.

4 Place a **mounting bracket** at each end of the T-panel so that the bracket's top leg overlaps the inside flange of the panel and its slot aligns with the factory bolt hole.

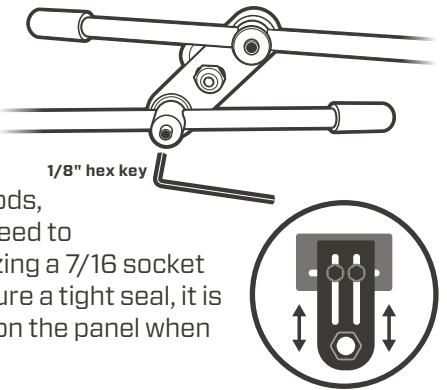
5 Re-insert each bolt through its washer, through the bracket slot, and into the factory hole. Retighten.



! To ensure a tight seal, it is crucial to apply downward pressure on the cover while you're attaching the mounting brackets.

ADJUST THE LOCK RODS

6 Loosen the set screws for the lock rods with the provided hex key and retighten each lock rod after ensuring the following...



★ To properly align the lock rods, the lock rod bracket may need to be adjusted vertically, utilizing a 7/16 socket for the adjustment. To ensure a tight seal, it is crucial to push downward on the panel when tightening in place.

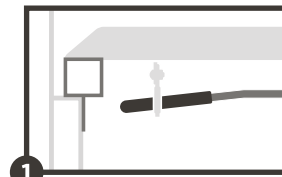
'16 AND UP CAB PANELS:

CORRECT ORIENTATION

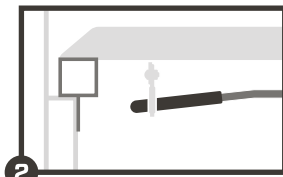


HANDLE OPEN

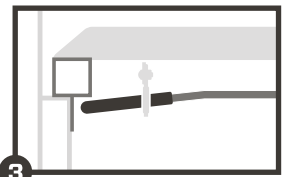
HANDLE CLOSED



1 The angled orientation is always maintained



2 With the lock handle in the open position, the rod tips just clear the bulkhead bar.



3 With the lock handle in the closed position, the lock rods are fully under the bulkhead bar and engaged as much as possible. Ensure the lock handle fully closes.

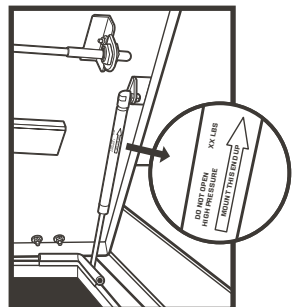
★ '05-'15 lock rods engage with track at the bulkhead.

ATTACH THE GAS SPRINGS

7 Attach **2 gas springs** to the ball stud arms beneath each panel.

! Make sure the barrel end is up. If you install your gas springs upside down, they'll fail.

8 Leave the cover closed and locked for 24 hours to allow the pressure-sensitive weatherstrip adhesive to fully cure.



24 hours
Adhesive cure time

