



INSTALLATION GUIDE

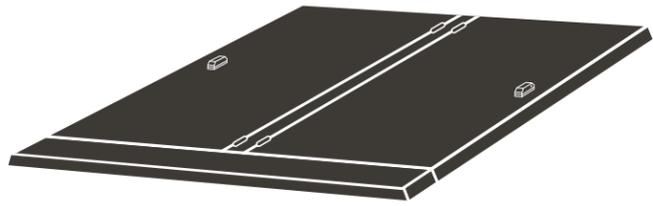
60 minutes
Normal install time

Keep an eye out for these icons:

IMPORTANT!
Important installation information

Helpful Hints
Tips to assist installation

PARTS INCLUDED:



180 Cover



Bulkhead Angle



1/4" Self-Drilling Screws (5)



1/4" Rivet Nuts (5)



1/8" Hex Key



Rivet Nut Installation Tool



1/4" Lock Washers (5)



1/4" Flat Washers (5)



1/4" Hex Bolts (5)



Bulkhead Cap Clamps (2)



Bedrail Cap Clamps (4)



Gas Springs (4)

TOOLS REQUIRED:



Drill



3/8" Nut Driver Bit



25/64" Drill Bit



5/16" Drill Bit



Utility Knife



Ratchet Wrench, (Torque Wrench preferred)



9/16" Wrench



Rubber Mallet



9/16" Socket



7/16" Socket



Marker



Tape Measure (optional)

PRE-INSTALLATION NOTES (REVIEW ALL OTHER INCLUDED INSTALLATION GUIDES BEFORE BEGINNING)

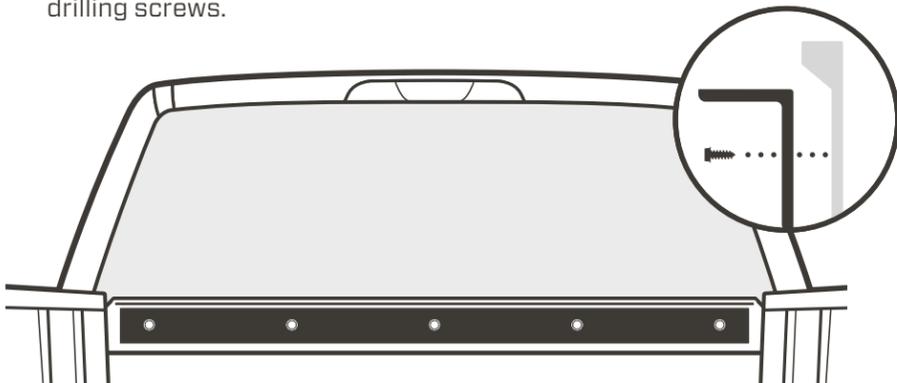


Most trucks require the **bulkhead weatherstrip** to be installed and some require additional bulkhead preparations. Please refer to the instructions in the **Bulkhead Prep Kit** prior to mounting the cover.

If you are installing a bin, refer to the bin's installation guide for details.

PREPARE THE BULKHEAD

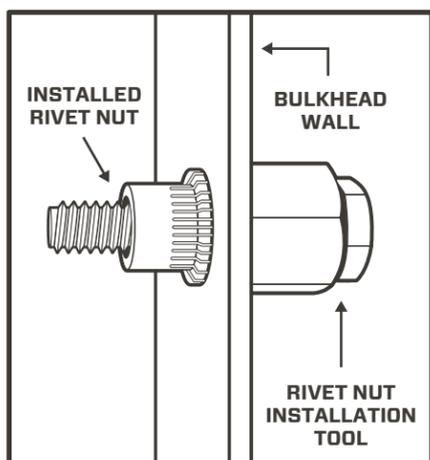
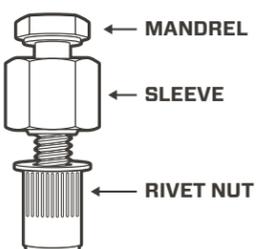
1 Referencing the image below, align the **Bulkhead Angle (longer leg down)**, centered side to side between the bedrails, and just below the shelf of the bulkhead. Attach using a drill, 3/8 nut driver bit, and included self drilling screws.



2 Detach Bulkhead Angle by removing the self-drilling screws and set aside. Use the 25/64" drill bit to enlarge the holes in the bulkhead left by the self-drilling screws.

! Protection is needed to avoid drilling directly into the cab. Create a physical stop on the drill bit or place protection between the bulkhead and cab to prevent damage.

3 Thread a rivet nut onto the **rivet nut installation tool**. Hand-tighten until the hexagonal sleeve is tight to the face of the rivet nut. Next, using a rubber mallet, gently tap rivet nut into the pilot hole.



4 Use a 9/16" wrench to hold the sleeve of the **rivet nut installation tool** as you tighten the mandrel with a 7/16" socket until the rivet nut deforms and locks against the interior of the bed wall.

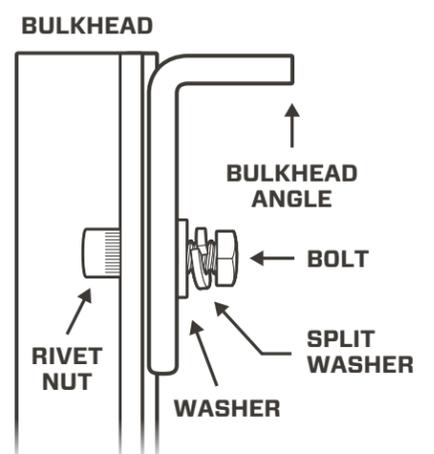
! At approximately 2 full revolutions, the nut should be tight. Do NOT overtighten or you will risk stripping the rivet nut.

5 Remove the installation tool by unscrewing the mandrel.

6 Repeat steps 3-5 for each rivet nut.

7 With all rivet nuts installed correctly, reattach the bulkhead angle using the provided hex bolts and washers as shown. Tighten with a 7/16" socket, **ensuring not to overtighten** the bolts or you will strip the rivet nuts.

★ Re-installing the Bulkhead angle using the hex bolts and washers is easiest if you enlarge the holes in the clamp bracket using the 5/16" drill bit.



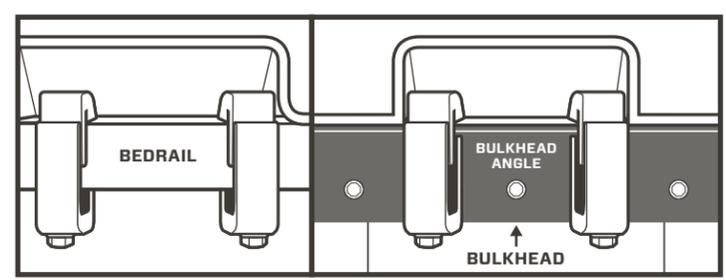
MOUNT THE COVER

8 Close the tailgate. Place the cover onto the bed so that the weatherstrip along the cover's vertical sealing face is firmly compressed against the inside edge of the tailgate.

9 Center the cover side to side.

10 Secure the T-panel to the truck by tightening two cap clamps under each of the three ends of the T-panel.

Place the clamps' bottom jaws under the bed rails at the two sides and under the clamp bracket mounted to the bulkhead. Uniformly tighten the cap clamps using a 9/16" socket to between **5-6 ft-lbs**.



- !** While tightening clamps, be aware of possible bed rail cap deformation. Overtightening clamps will damage bed rail caps and cause leaking.
- !** Retighten after a week of use. Check them every time you haul on top.

ADJUST THE LOCK RODS

11 Use the 1/8" hex key to loosen the set screws on the linkages of the forward lock rods.

CAB PANELS:

CORRECT ORIENTATION

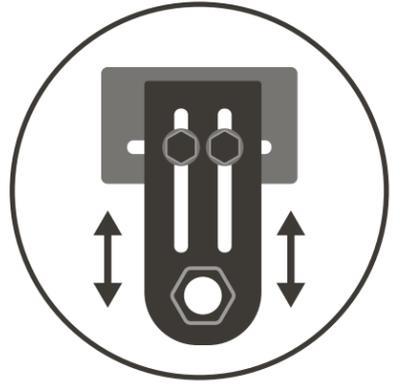


1
The angled orientation is always maintained

2
With the lock handle in the open position, the rod tips just clear the bulkhead angle.

3
With the lock handle in the closed position, the lock rods are fully under the bulkhead angle and engaged as much as possible. Ensure the lock handle fully closes.

12 With the lock handle in the closed position, set the lock rods tight against the underside of the bulkhead angle on Nissans or the inside of the deck rail on Tundras. Tighten the rod guide brackets with a 7/16" socket.



13 Double-check both panels to ensure they open, close, lock & seal correctly. If at any point the weatherstrip does not touch the bed rails, readjust the lock rods and mounting brackets as needed.

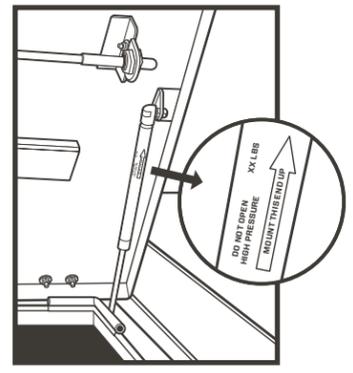
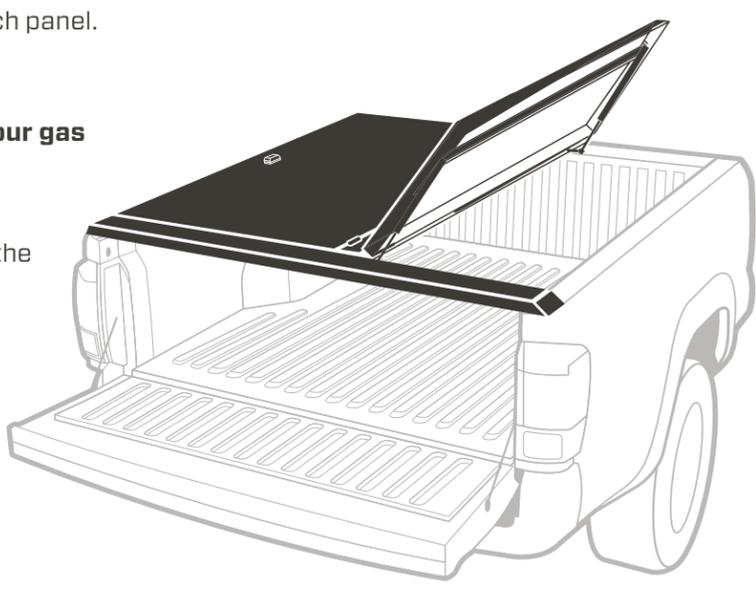
★ Lock handle operation is easiest when you press down on the access panel.

ATTACH THE GAS SPRINGS

14 Attach **2 gas springs** to the ball stud arms beneath each panel.

! Make sure the barrel end is up. If you install your gas springs upside down, they'll fail.

15 Leave the cover closed and locked for 24 hours to allow the pressure-sensitive weatherstrip adhesive to fully cure.



24 hours
Adhesive cure time