



INSTALLATION GUIDE

CVR-270.7

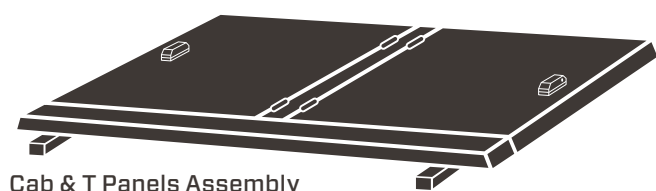
90 minutes
Normal install time

Keep an eye out for these icons:

IMPORTANT!
Important installation information

Helpful Hints
Tips to assist installation

PARTS INCLUDED:



Cab & T Panels Assembly



Bulkhead Angle



1/4" Self-Drilling Screws (5)



1/4" Rivet Nuts (5)



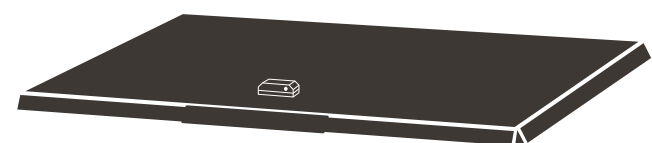
1/8" Hex Key



1/4" Lock Washers (5)



Gas Springs (6)



Tail Panel



Threaded Insert Installation Tool



1/4" Plain Washers (5)



1/4" Hex Bolts (5)



Cap Clamps (6)



Bed-Rail Edge Trim (2)

TOOLS REQUIRED:



Power Rotary Cutting Tool*



Marker



Drill



3/8" Nut Driver Bit



25/64" Drill Bit



5/16" Drill Bit



Hammer



Ratchet Wrench



7/16" Socket

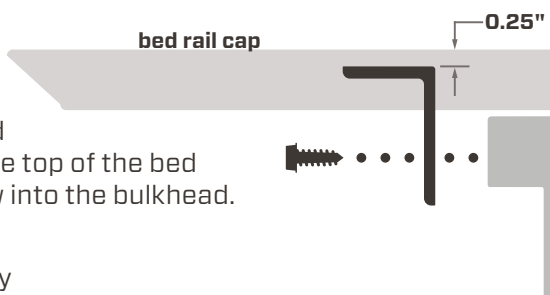
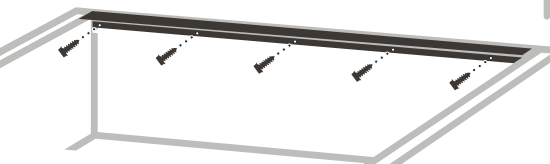



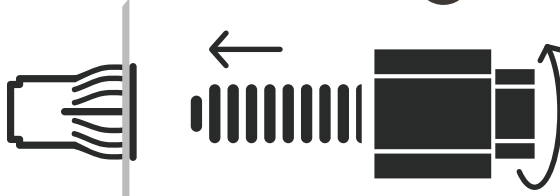
9/16" Socket



9/16" Wrench

PREPARE THE BULKHEAD

- 1 If you have the factory bed liner, remove it or use a rotary tool to trim the top of its bulkhead wall so that its edge sits no higher than 3-1/4" below the plane of top of the bed rail caps to its left and right.
- 2 Mount the included **bulkhead weatherstrip**, which you'll find wrapped in between the two halves of the cover. Refer to the **Bulkhead Weatherstrip Installation Guide** for details.
- 3 Place the **bulkhead angle**, longer leg down, centered side to side, against the bulkhead so that its top sits 1/4" below the plane of the top of the bed rail caps.
- 4 Mark the first drill location roughly at the horizontal center of the angle's vertical leg.
- 5 Place the angle on the ground. Drill the mark using a 3/8" nut driver bit and self-drilling screw.
- 6 Attach the angle to the bulkhead, centered side to side and its top leveled 1/4" below the plane of the top of the bed rails, by driving the screw into the bulkhead. 
- 7 Put four additional, evenly spaced screws through the angle and into the bulkhead. 
- 8 Detach the angle by removing the screws.
- 9 Enlarge the holes in the bulkhead with a 25/64" bit.
- ★ If you don't have a 25/64" bit, use a 3/8" bit and slightly ream the holes.
- 10 Enlarge the holes in the angle with a 5/16" bit.

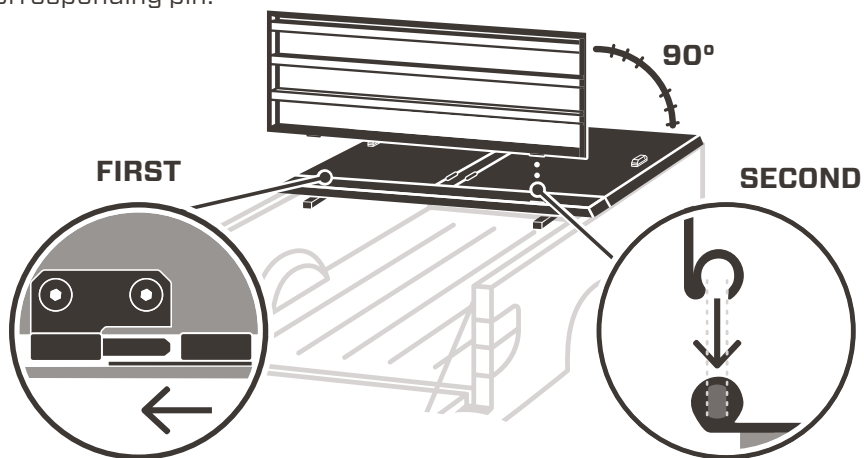
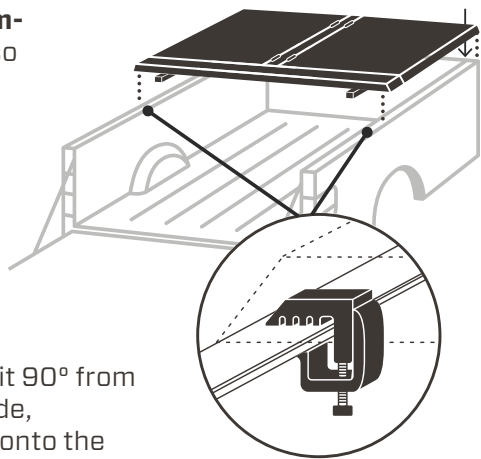
- 11 Hammer a **rivet nut** into each hole in the bulkhead.
- 12 Insert the **installation-tool** mandrel into a rivet nut. Hand-tighten until its hexagonal sleeve is tight to the face of the rivet nut.
- 13 Use a 9/16" wrench to hold the installation-tool sleeve as you tighten the mandrel with a 7/16" socket until the rivet nut deforms and locks against the interior of the bed wall. 
- ★ You'll know the rivet nut is fully compressed when you feel the mandrel become very difficult to turn. 
- 14 Remove the installation tool by unscrewing the mandrel.
- 15 Repeat steps 12-14 for each hole and rivet nut.
- 16 Reattach the angle by inserting a hex bolt through a lock washer, then a plain washer, then through a hole in the angle, and into each rivet nut. Tighten with a 7/16" socket.
- 17 If you are also installing a **Cross Bin**, do so now. Refer to page 2 of the **Cross Bin Installation Guide** for details.

MOUNT THE COVER

18 Place the **cab & T panels assembly** on the front half of the bed so that the weatherstrip on its leading edge lines up with the bulkhead weatherstrip.

19 Loosely affix the T panel to the truck by finger-tightening two **cap clamps** under both side ends of the T panel.

20 Attach the **tail panel** by angling it 90° from the bed rails, sliding its driver-side, loop-shaped hinge knuckle fully onto the corresponding center-panel hinge pin, then dropping its passenger-side, C-shaped hinge knuckle fully onto its corresponding pin.



21 Lower the tail panel into the closed position.

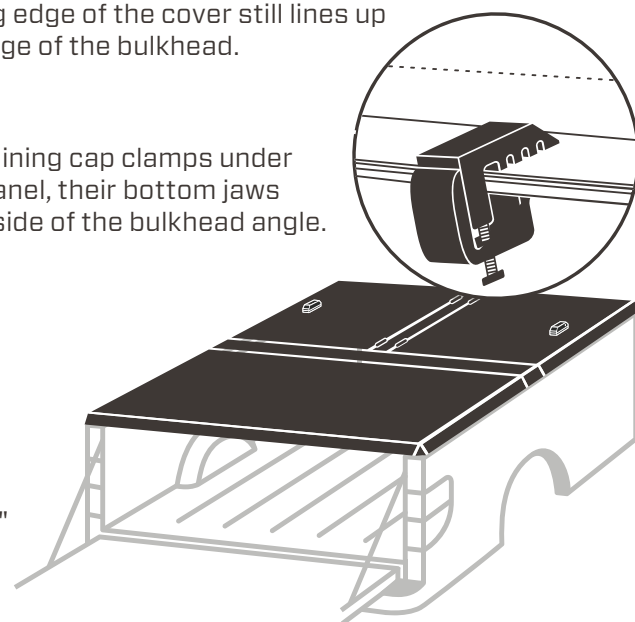
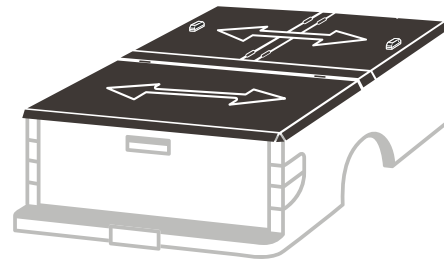
22 Center the cover side to side.

23 Confirm the leading edge of the cover still lines up with the outside edge of the bulkhead.

24 Place the two remaining cap clamps under the nose of the T panel, their bottom jaws gripping the underside of the bulkhead angle.

25 Tighten all six cap clamps with a 9/16" socket.

! Road vibration can loosen your clamps. Retighten them after 100 miles. Check them every time you haul on top.



SET THE LOCK RODS

26 If plastic extends beyond the bottom of the vertical face of the truck's metal bed rails, trim a two-inch length of it to flush with the bed rail's bottom edge at both points under the tail panel where a lock rod will pass under the rails.

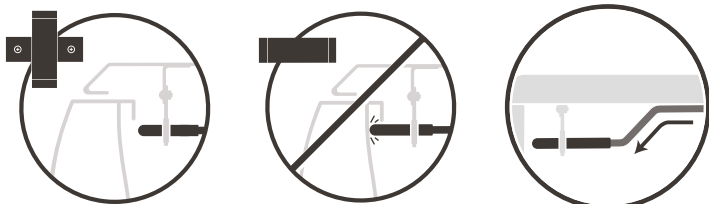
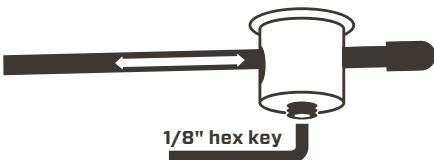
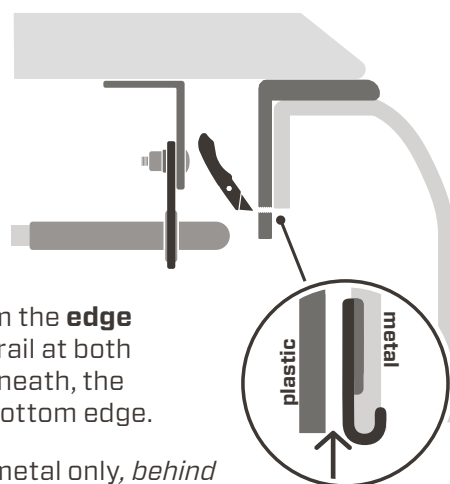
27 Peel the red adhesive backing from the **edge trim** pieces. Affix them to the bed rail at both points where a rod will pass underneath, the curl of their 'j's touching the rail's bottom edge.

! Affix the edge trim to the painted metal only, *behind* the plastic bed liner or bed rail cap.

★ Using a tool to widen the curl of the 'j' can make this step easier.

28 Loosen the set screws on the tail-panel lock-rod linkages.

29 Adjust the lock rods & retighten the set screws so that (1) with the lock handle in the open position, the rod tips clear the bed rails, (2) with handle in closed position, the rod tips don't strike the bed walls, and (3) the first bend in the rods points downwards.



30 Position the lock rods tight against the underside of the bed rails so that they'll draw the panels down and compress the weatherstrip. Tighten the rod guide brackets with a 7/16" socket.

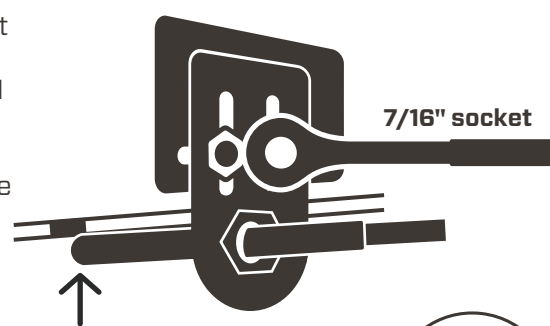
! For best weather protection, have a second person press down on the cover while you adjust the lock rods.

★ Using the access panels is easiest when you press down as you open or close them.

31 Repeat steps 28-30 for the forward cab-panel lock rods so that:

- with the lock handles in the open position, the rod tips clear the bulkhead angle,
- with the handles in the closed position, the rod tips do not strike the bulkhead, and
- in the closed position, they are tight against the underside of the bulkhead angle, drawing the panels down & compressing the weatherstrip.

★ The rearward cab-panel lock rods come pre-adjusted tight to the T-panel gutters. You need only adjust the forward lock rods.



ATTACH THE GAS SPRINGS

32 If you are also installing a **Side Bin**, do so now. Refer to the **Side Bin Installation Guide** for details.

33 Attach the four weaker **gas springs** to the cab-panel ball studs and the two stronger gas springs to the tail-panel ball studs.

★ You'll find the gas spring strength printed on the sides of the barrels.

! To avoid premature failure of your gas springs, attach them barrel up, shaft down.

34 Leave the cover closed and locked for 24 hours to allow the weatherstrip adhesive, which is pressure-sensitive, to fully cure.

24 hours
Adhesive cure time

