



# DIAMONDBACK

DiamondBackCovers.com / 800 935 4002

'05-up Toyota Tacoma  
with the 60" cargo bed

270

CVR-270.5

## INSTALLATION GUIDE

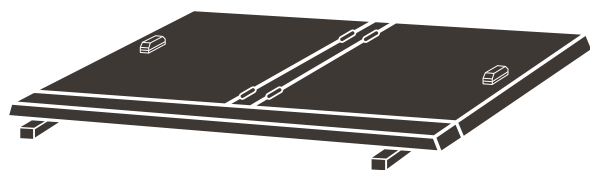
**75 minutes**  
Normal install time

Keep an eye out for these icons:

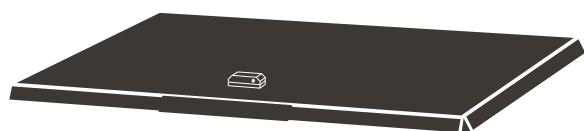
**IMPORTANT!**  
Important installation information

**Helpful Hints**  
Tips to assist installation

### PARTS INCLUDED:



Cab & T Panels Assembly



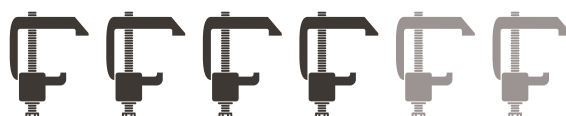
Tail Panel



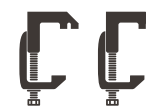
Lock-Rod Striker Brackets (2)



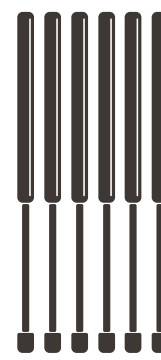
1/8"  
Hex Key



G-200 Cap Clamps  
(4) for '16-up or (6) for '05-15



G-913 Cap Clamps  
(2) for '16-up



Gas  
Springs (6)

### TOOLS REQUIRED:



Ratchet Wrench



9/16"  
Socket



T30 Torx/Star  
Wrench



7/16"  
Socket

### PRE-INSTALLATION NOTES:

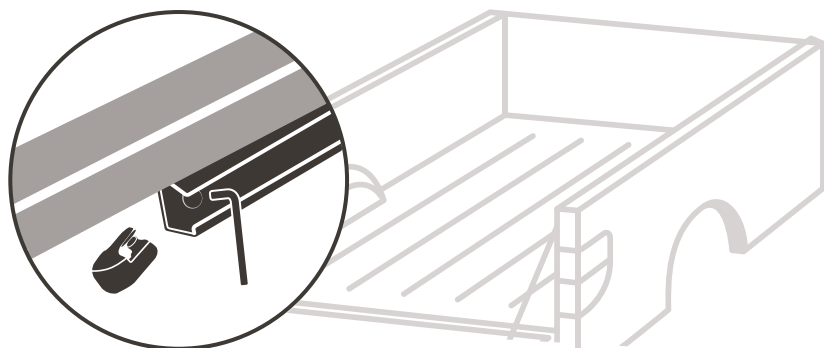
1. If you have a 2016-up Tacoma, you should affix the included **Sticker-Tite gasket** to your bulkhead prior to installing your cover. Refer to the **Bulkhead Prep Kit Installation Guide** for details.
2. If you are installing a **Cross Bin**, you should start that before you install the DiamondBack 270 (but, if you have a 2016-up Tacoma, after you affix the rubber gasket to the bulkhead ). Refer to page 2 of the **Cross Bin Installation Guide** for details.
3. It's possible for one person to install a DiamondBack solo, but the whole process, especially positioning the panels and adjusting the lock rods, is much easier with two people.

## PREPARE THE CARGO BED & PLACE THE COVER

If you have a 2016-up Tacoma, you should affix the included **rubber gasket** to your bulkhead prior to installing your cover. Refer to the **Bulkhead Prep Kit Installation Guide** for details.

**1** Remove the plastic cap from the tailgate end of the driver-side deck rail by pressing its tab.

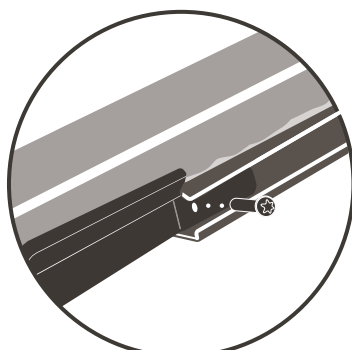
**2** Use a T30 Torx wrench to remove the factory bolt near the tailgate end of the deck rail.



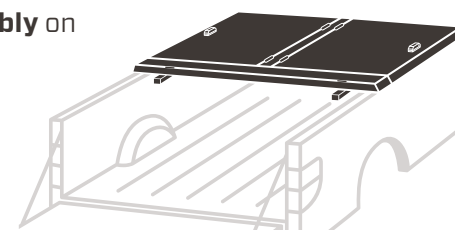
**3** Slide the driver-side **lock-rod striker bracket** into the deck rail until its forward hole aligns with the factory bolt hole.

**4** Reinsert the factory bolt and retighten it with the Torx wrench.

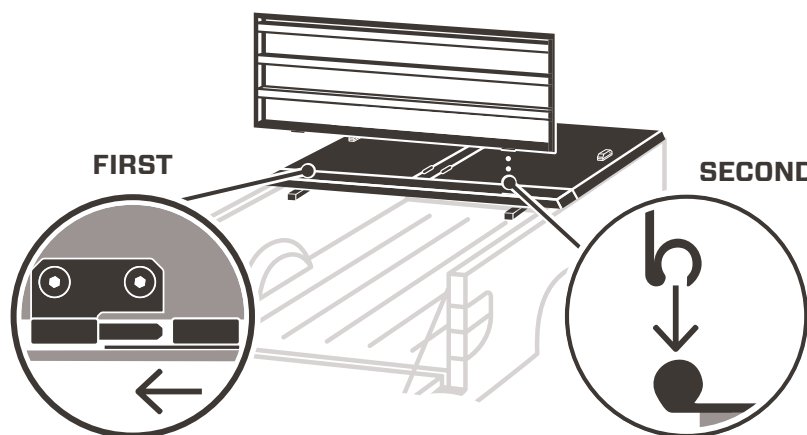
**5** Repeat steps 1-4 on the passenger side.



**6** Place the **cab & T panels assembly** on the front half of the bed so its leading edge lines up with the leading edge of the bulkhead.



**7** Attach the **tail panel** by angling it 90° from the bed rails, sliding its driver-side, loop-shaped hinge knuckle fully onto the corresponding center-panel hinge pin, then dropping its passenger-side, C-shaped hinge knuckle fully onto its corresponding pin.



**8** Lower the tail panel into the closed position.

**9** Center the DiamondBack side to side.

CONTINUED ON REVERSE >

## ATTACH THE COVER & ADJUST THE LOCK RODS

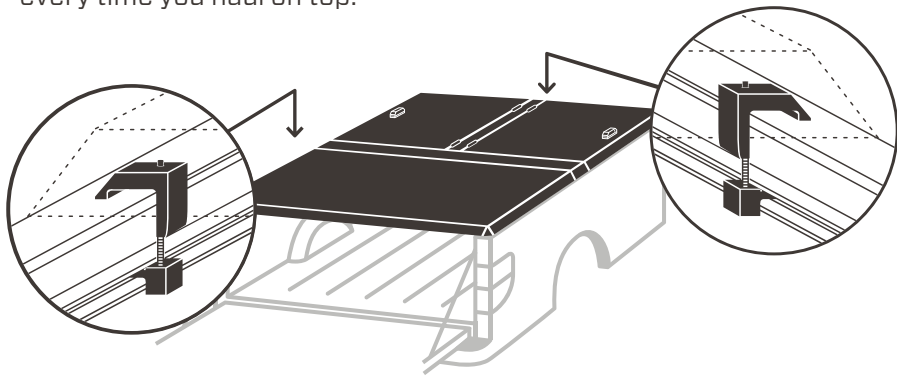
**10** If your truck is an '05-15, you should affix the included **bulkhead weatherstrip** at this point. Refer to the **Bulkhead Prep Kit Installation Guide** for details.

**11** Place two **G-200 cap clamps** inside both side ends of the T panel, their bottom halves fitting into the deck rail system. Tighten with a 9/16" socket.

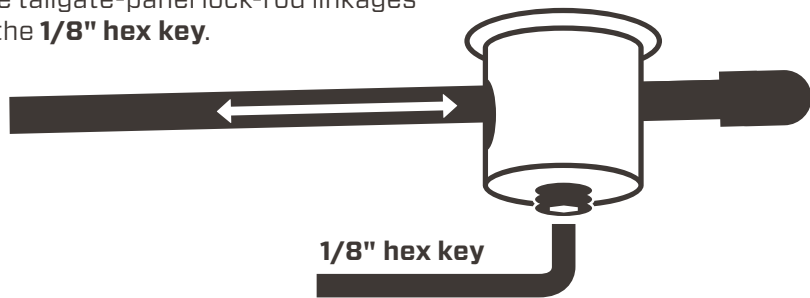
**!** Be careful that tightening the clamps does not deform your bed rail caps.

**12** Place the remaining two **clamps** under the cover at the nose of the T panel, their bottom halves gripping the square-tube top rail ('16-up) or fitting into the deck rail system ('05-15). Tighten.

**!** Retighten your clamps after 100 miles. Check them every time you haul on top.

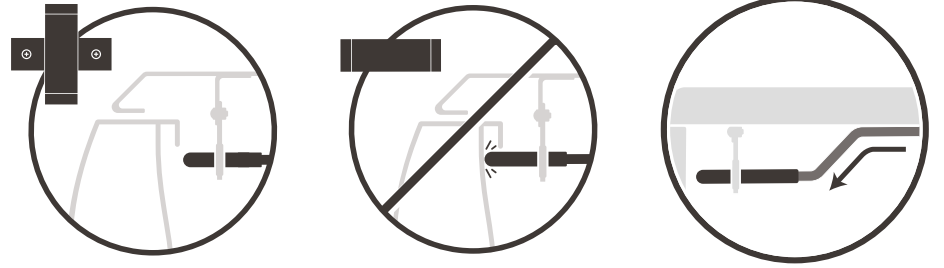


**13** Close the tail panel. Loosen the set screws on the tailgate-panel lock-rod linkages with the **1/8" hex key**.

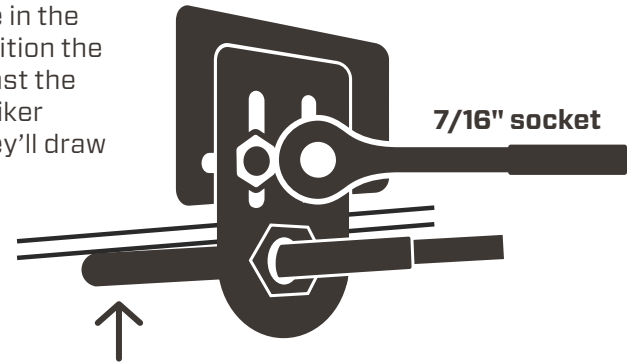


**14** Adjust the length of the lock rods and retighten the set screws so that:

- with the lock handle in the open position, the rod tips clear the striker brackets,
- with the handle in the closed position, the rod tips do not strike the bed walls, and
- the first bend in the rods points downward.



**15** With the lock handle in the closed position, position the lock rods tight against the underside of the striker brackets so that they'll draw the panels down and compress the weatherstrip. Tighten the rod guide brackets with a 7/16" socket.



**16** Repeat steps 13-15 for the forward cab-panel lock rods so that:

- with the lock handles in the open position, the rod tips clear the square-tube top rail ('16-up) or deck rail system ('05-15),
- with the handles in the closed position, the rod tips do not strike the bulkhead but are tight against the underside of the square-tube top rail or the inside of the top of the deck rail,
- the rods point downward, and
- closing them draws the panels down & compresses the weatherstrip.

★ Your panels should be difficult to operate at first. After finishing installation below, leave the panels closed as much as possible for 3-4 days to break in the weatherstrip. After that period, you should find that the panels open and close without difficulty.

**17** Double-check all three panels to ensure they open, close, lock & seal correctly. If at any point the weatherstrip does not touch the bed rails, adjust the position of the lock rods.

**18** If you are also installing a **Side Bin**, do so now. Refer to the **Side Bin Installation Guide** for details.

## ATTACH THE GAS SPRINGS

**19** Attach the 30-lb **gas springs** to the cab-panel ball studs and the two stronger gas springs to the tailgate-panel ball studs.

★ You'll find the strength of the gas springs printed on the sides of the barrels.

**!** To avoid premature failure of your gas springs, attach them barrel up, shaft down.

**20** If your truck is a '16-up, switch back to the **Bulkhead Prep Kit Guide** and start at step 6.

**21** Leave the cover closed and locked for 24 hours to allow the weatherstrip adhesive, which is pressure-sensitive, to fully cure.

